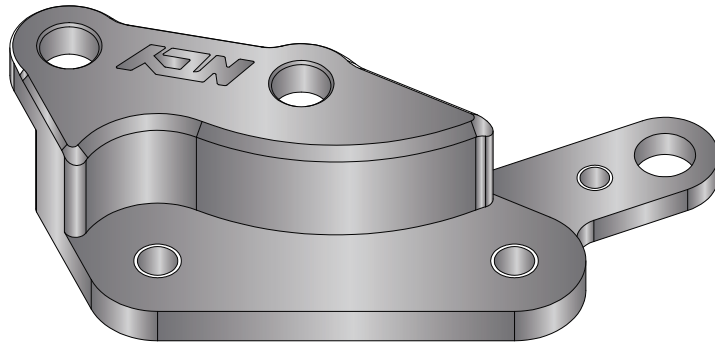


- 感謝您購買 **NCY** 產品，在此向您致上萬分謝意。使用之前，請您務必詳讀並參照安裝說明，並且正確組裝。
- Before installing, please read Installing Manual well.

■ ■ 1-1 配件 Accessories

改對四卡鉗座/ B4 CALIPER ADAPTOR 220MM

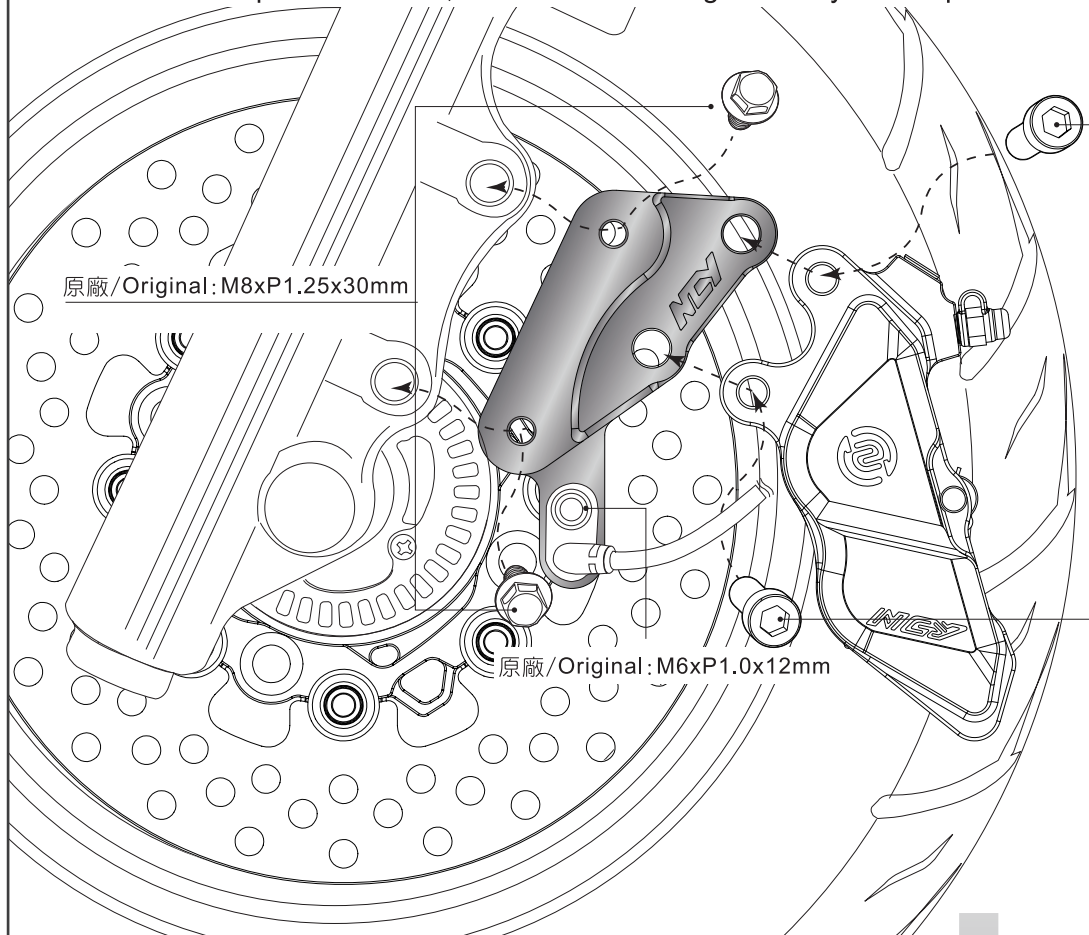


x1pc

■ ■ 1-2 安裝說明-示意圖 Installing Manual

對四卡鉗搭配220mm卡鉗座安裝原廠10吋輪框會有間隙過小問題，若卡鉗有磨擦輪框之情形，建議磨除卡鉗干涉處。

If B4 caliper with caliper adaptor 220mm install on 10" rim, the gap might be too small. When the caliper rub the rim, we recommend to grind away the caliper interference area.



NCY規格:
M10xP1.5x25mm
(他牌卡鉗牙距與牙長需對應
合適之螺絲安裝。)

NCY Specification:
M10xP1.5x25mm
Please check caliper
for choosing bolt pitch
& length.

