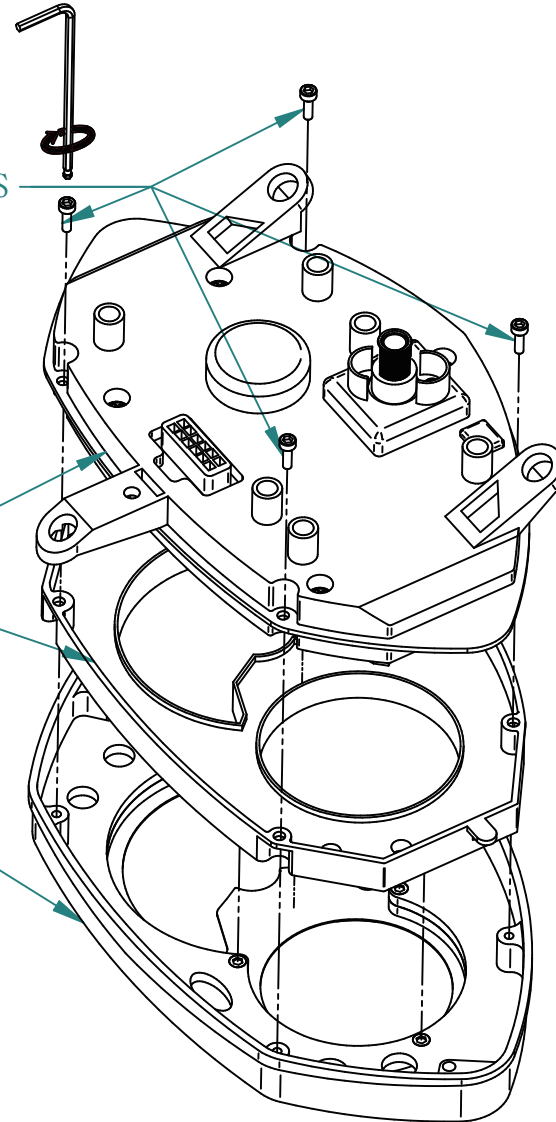


# INSTALLING MANUAL FOR CNC DECORATIVE COVER FOR INSTRUMENT PANEL FOR NEW CYGNUS 125

STAINLESS STEEL HEX SOCKET SCREWS M3\*10MM\*4PCS

ORIGINAL

CNC DECORATIVE COVER FOR INSTRUMENT PANEL  
FOR NEW CYGNUS 125



INSTALLING ORDER

